



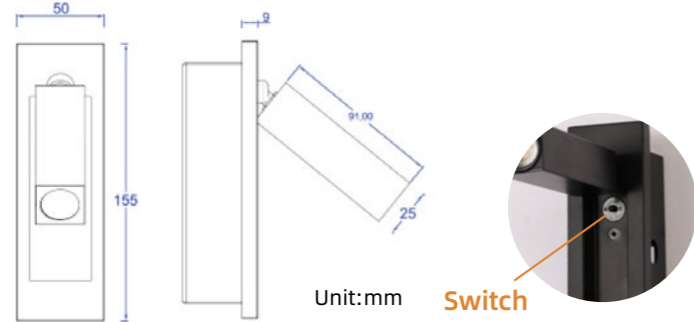
Left Hard Rock Hotel, UK

Projects

We are proud to play our part in some of the most exciting design projects across the globe. Working closely with our customers and partners, we deliver contemporary, purposeful designs that complement every aspect of luxury living and hospitality, from guest bedrooms and bathrooms to living areas, corridors, and exteriors.

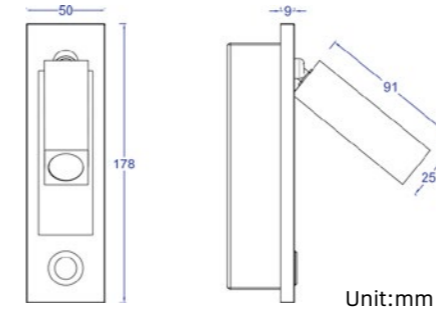
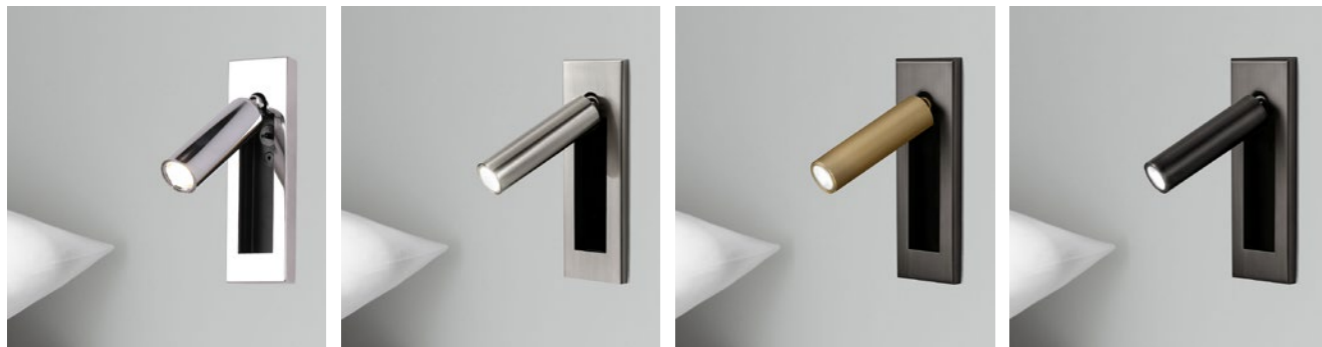
Right The Warehouse Hotel, Singapore





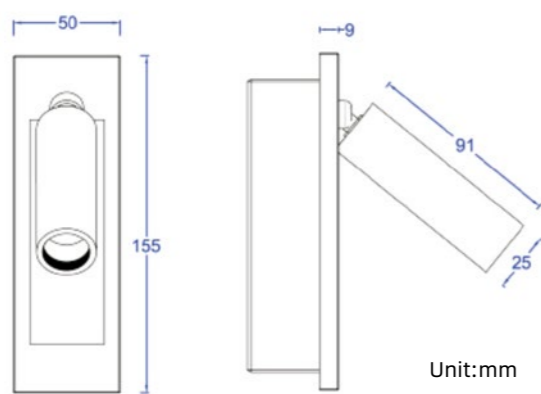
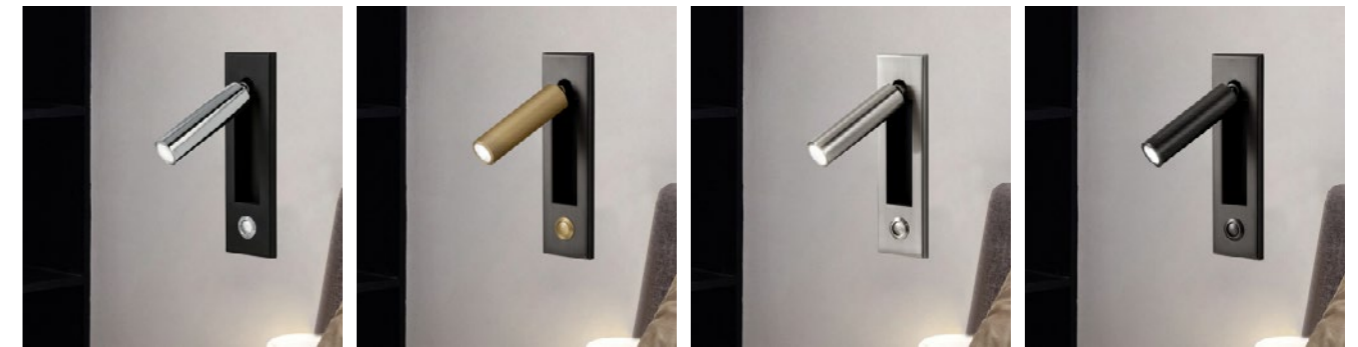
Cutout size : L130 x W40 x H50mm

Code : DL-WL0703
Input : AC100~240V
Light Source : LED 3W Osram
CCT : 2700K/3000K/4000K
Beam Angle : 30° or customized
Lumen: 120lm
Driver: UL/SAA/TUV/CE listed
Plug: Hard wired or custom wall plug
Installation : Recessed into wall/headboard
Switch: Dock switch under head
Finish : Matt black, matt white, chrome, satin nickel matt nickel, brushed brass, black bronze etc.



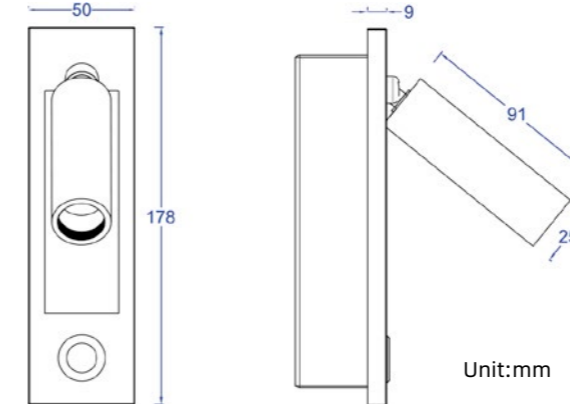
Cutout size: L160 x W40 x H60mm

Code : DL-WL0704
Input : AC100~240V
Light Source : LED 3W Osram
CCT : 2700K/3000K/4000K
Beam Angle : 30° or customized
Lumen: 120lm
Driver: UL/SAA/TUV/CE listed
Plug: Hard wired or custom wall plug
Installation : Recessed into wall/headboard
Switch: Metal push switch on plate
Finish : Matt black, matt white, chrome, satin nickel matt nickel, brushed brass, black bronze etc.



Cutout size : L130 x W40 x H50mm

Code : DL-WS0806
Input : AC100~240V
Light Source : LED 3W Osram
CCT : 2700K/3000K/4000K
Beam Angle : 30° or customized
Lumen: 120lm
Driver: UL/SAA/TUV/CE listed
Plug: Hard wired or custom wall plug
Installation : Recessed into wall/headboard
Switch: Dock switch under head
Finish : Matt black, matt white, chrome, satin nickel matt nickel, brushed brass, black bronze etc.



Cutout size: L160 x W40 x H60mm

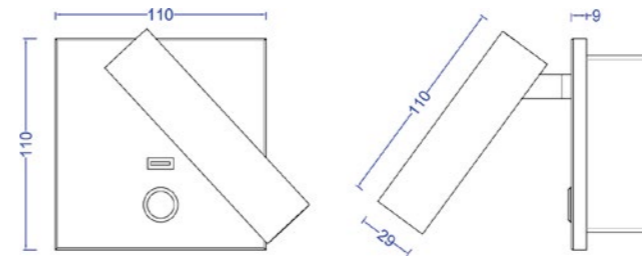
Code : DL-WS0808
Input : AC100~240V
Light Source : LED 3W Osram
CCT : 2700K/3000K/4000K
Beam Angle : 30° or customized
Lumen: 120lm
Driver: UL/SAA/TUV/CE listed
Plug: Hard wired or custom wall plug
Installation : Recessed into wall/headboard
Switch: Metal push switch on plate
Finish : Matt black, matt white, chrome, satin nickel matt nickel, brushed brass, black bronze etc.





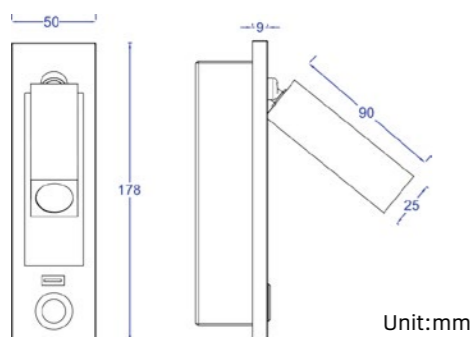
Body Size : L180 x W50 x H65mm

Code : DL-WL0705
 Input : AC100~240V
 Light Source : LED 3W Osram
 CCT : 2700K/3000K/4000K
 Beam Angle : 30° or customized
 Lumen : 120lm
 USB Outle : 5V 2.1A fast charger
 Driver : UL/SAA/TUV/CE listed
 Plug : Hard wired or custom wall plug
 Installation : Recessed into wall/headboard
 Switch : Dock switch under head
 Finish : Matt black, matt white, chrome, satin nickel matt nickel, brushed brass, black bronze etc.



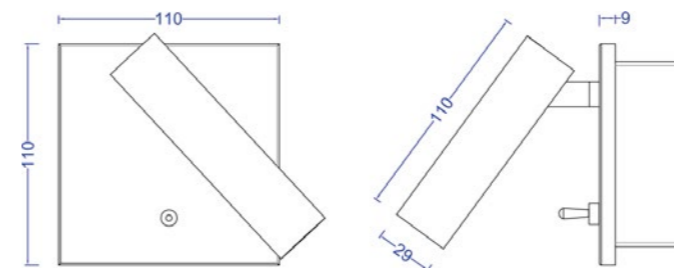
Cutout size: L95 x W65 x H50mm

Code : DL-HZ0323
 Input : AC100~240V
 Light Source : LED 3W Osram
 CCT : 2700K/3000K/4000K
 Beam Angle : 30° or customized
 Lumen : 120lm
 USB Outle : 5V 2.1A fast charger
 Driver : UL/SAA/TUV/CE listed
 Plug : Hard wired or custom wall plug
 Installation : Recessed into wall/headboard
 Switch : Dock switch under head
 Finish : Matt black, matt white, chrome, satin nickel matt nickel, brushed brass, black bronze etc.



Cutout size: L160 x W40 x H60mm

Code : DL-C1105
 Input : AC100~240V
 Light Source : LED 3W Osram
 CCT : 2700K/3000K/4000K
 Beam Angle : 30° or customized
 Lumen : 120lm
 USB Outle : 5V 2.1A fast charger
 Driver : UL/SAA/TUV/CE listed
 Plug : Hard wired or custom wall plug
 Installation : Recessed into wall/headboard
 Switch : Dock switch under head
 Finish : Matt black, matt white, chrome, satin nickel matt nickel, brushed brass, black bronze etc.

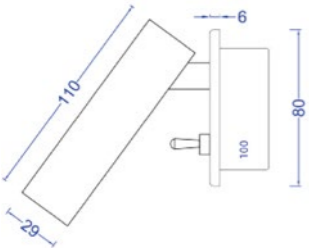


Cutout size: L95 x W60 x H40mm

Unit:mm

Code : DL-T1375
 Input : AC100~240V
 Light Source : LED 3W Osram
 CCT : 2700K/3000K/4000K
 Beam Angle : 30° or customized
 Lumen : 120lm
 Driver : UL/SAA/TUV/CE listed
 Plug : Hard wired or custom wall plug
 Installation : Recessed into wall/headboard
 Switch : Toggle switch on plate
 Finish : Matt black, matt white, chrome, satin nickel matt nickel, brushed brass, black bronze etc.

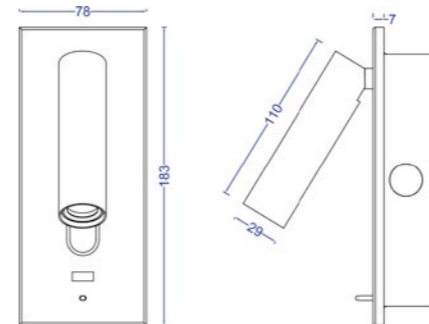
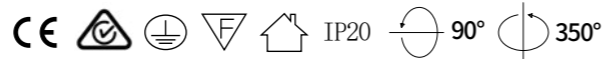




Unit:mm

Cutout size: L95 x W65 x H50mm

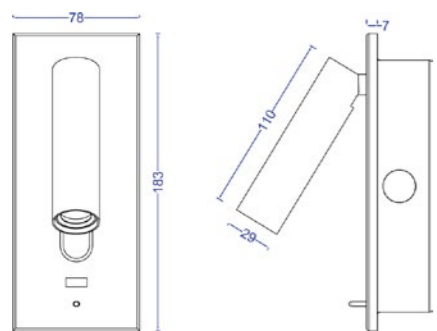
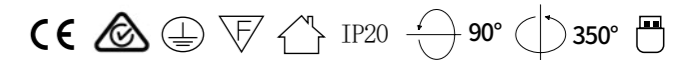
Code : DL-WS0328
Input : AC100~240V
Light Source : LED 3W Osram
CCT : 2700K/3000K/4000K
Beam Angle : 30° or customized
Lumen: 120lm
Driver: UL/SAA/TUV/CE listed
Plug: Hard wired or custom wall plug
Installation : Recessed into wall/headboard
Switch: Toggle switch on plate
Finish : Matt black, matt white, chrome, satin nickel matt nickel, brushed brass, black bronze etc.



Unit:mm

Cutout size: L155 x W55 x H40mm

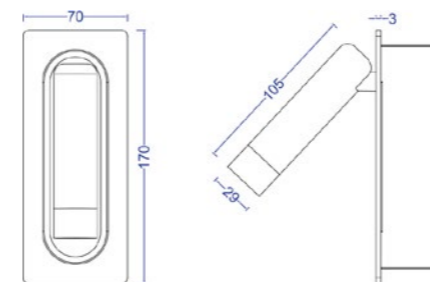
Code : DL-1121
Input : AC100~240V
Light Source : LED 3W Osram
CCT : 2700K/3000K/4000K
Beam Angle : 30° or customized
Lumen: 120lm
USB Outle : 5V 2.1A fast charger
Driver: UL/SAA/TUV/CE listed
Plug: Hard wired or custom wall plug
Installation : Recessed into wall/headboard
Switch: Dock switch under head
Finish : Matt black, matt white, chrome, satin nickel matt nickel, brushed brass, black bronze etc.



Unit:mm

Cutout size: L160 x W40 x H60mm

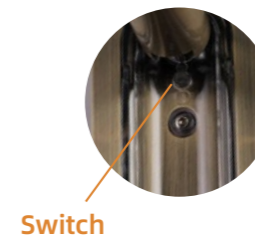
Code : DL-1118
Input : AC100~240V
Light Source : LED 3W Osram
CCT : 2700K/3000K/4000K
Beam Angle : 30° or customized
Lumen: 120lm
Driver: UL/SAA/TUV/CE listed
Plug: Hard wired or custom wall plug
Installation : Recessed into wall/headboard
Switch: Toggle switch on plate
Finish : Matt black, matt white, chrome, satin nickel matt nickel, brushed brass, black bronze etc.

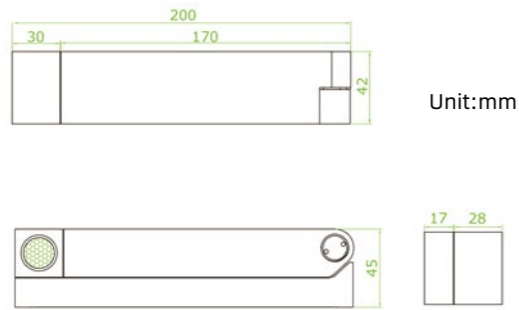


Unit:mm

Cutout size : L150 x W55 x H45mm

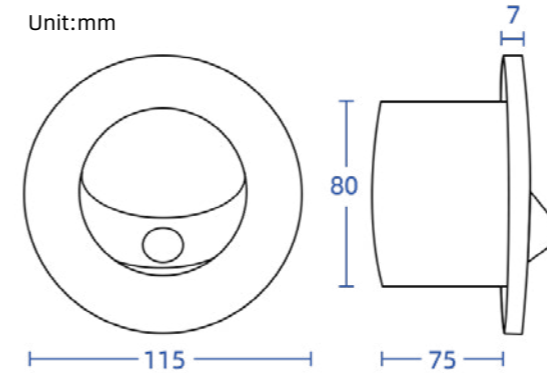
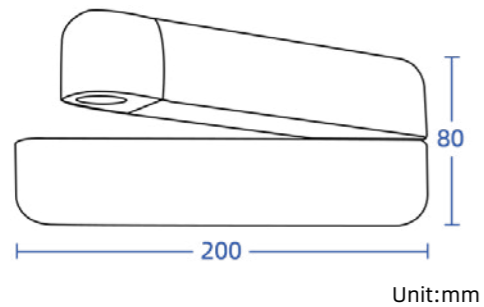
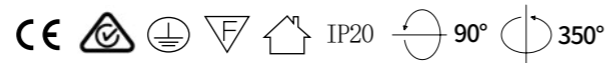
Code : DL-WS0322
Input : AC100~240V
Light Source : LED 3W Osram
CCT : 2700K/3000K/4000K
Beam Angle : 30° or customized
Lumen: 120lm
Driver: UL/SAA/TUV/CE listed
Plug: Hard wired or custom wall plug
Installation : Recessed into wall/headboard
Switch: Dock switch under head
Finish : Matt black, matt white, chrome, satin nickel , Bronze etc.



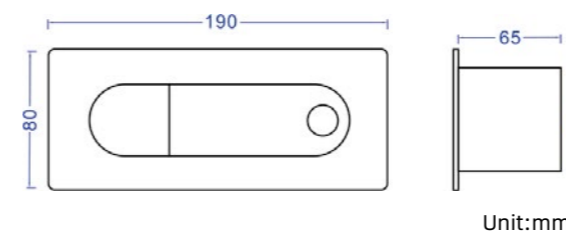


Cutout size : L200 × W45 × H42mm

Code : DL-C1065
Input : AC100~240V
Light Source : LED 3W Osram
CCT : 2700K/3000K/4000K
Beam Angle : Beam angle 30°
Lumen : 150lm
Driver : TUV/UL/SAA certificate
Plug : Hard wired or custom wall plug
Installation : Surface mounted
Switch : Dock switch under light head
Finish : Black bronze, Satin nickel, Chrome



Code : DL047
Input : AC100~240V
Light Source : LED 3W Osram
CCT : 2700K/3000K/4000K
Beam Angle : Beam angle 30°
Lumen : 120lm
Driver : TUV/UL/SAA certificate
Plug : Hard wired or custom wall plug
Installation : Recessed
Switch : Dock switch under light head
Finish : Matt Black, Matt White, Sand Nickel



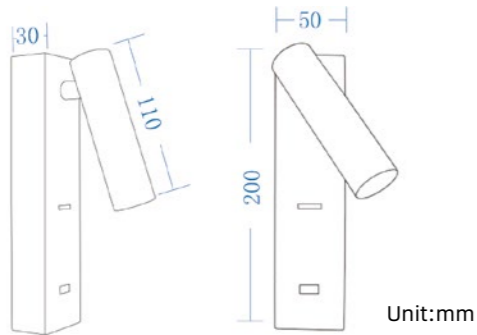
Cutout size : L16.5 × W6.5 × H6.5mm

Code : DL-W0706
Input : AC100~240V
Light Source : LED 3W Osram
CCT : 2700K/3000K/4000K
Beam Angle : 30° or customized
Lumen : 120lm
Driver : UL/SAA/TUV/CE listed
Plug : Hard wired or custom wall plug
Installation : Recessed into wall/headboard
Switch : No switch
Finish : Matt black, matt white, chrome, satin nickel, Bronze etc.

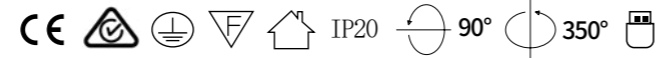




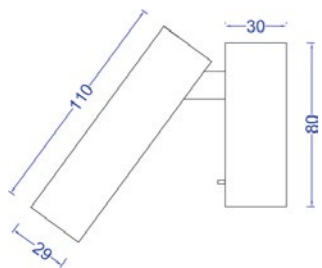
Code : DL-S1556
Input : AC100~240V
Light Source : LED 3W Osram
CCT : 2700K/3000K/4000K
Beam Angle : 30° or customized
Lumen: 120lm
Driver: UL/SAA/TUV/CE listed
Plug: Hard wired or custom wall plug
Installation : Surface mounted
Switch: BJB Switch on plate
USB Outle : 5V 2.1A +Type-C
Finish : Matt black, matt white, chrome, satin nickel
 matt nickel, brushed brass, black bronze etc.



Unit:mm



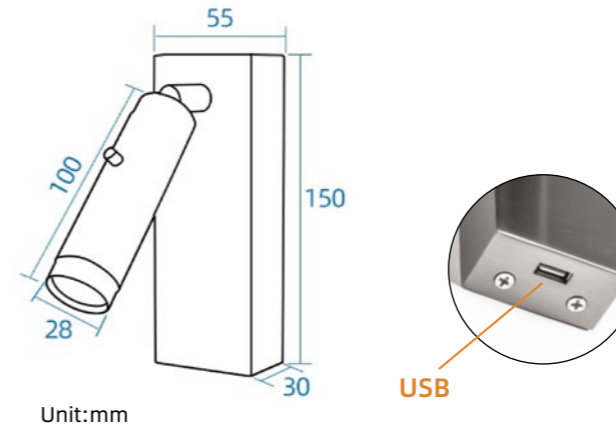
Code : DL-T1474
Input : AC100~240V
Light Source : LED 3W Osram
CCT : 2700K/3000K/4000K
Beam Angle : 30° or customized
Lumen: 120lm
Driver: UL/SAA/TUV/CE listed
Plug: Hard wired or custom wall plug
Installation : Surface mounted
Switch: BJB Switch on plate
Finish : Matt black, matt white, chrome, satin nickel
 matt nickel, brushed brass, black bronze etc.



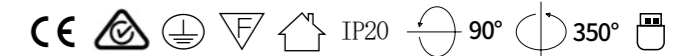
Unit:mm



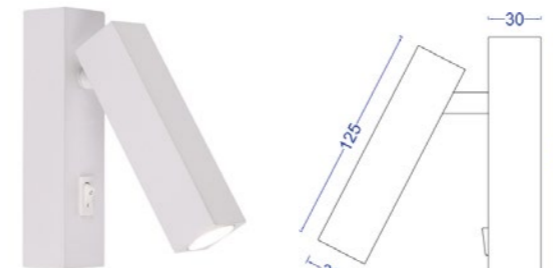
Code : DL026
Input : AC100~240V
Light Source : LED 3W Osram
CCT : 2700K/3000K/4000K
Beam Angle : 30° or customized
Lumen: 120lm
Driver: UL/SAA/TUV/CE listed
Plug: Hard wired or custom wall plug
Installation : Surface mounted
Switch: Push switch on head
USB Outle : 5V 2.1A fast charger
Finish : Matt black, brushed brass, chrome,
 satin nickel



Unit:mm

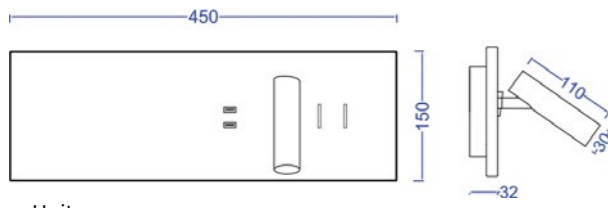


Code : DL027
Input : AC100~240V
Light Source : LED 3W Osram
CCT : 2700K/3000K/4000K
Beam Angle : 30° or customized
Lumen: 120lm
Driver: UL/SAA/TUV/CE listed
Plug: Hard wired or custom wall plug
Installation : Surface mounted
Switch: rocker switch on plate
Finish : Matt black, matt white, chrome, satin nickel,
 Bronze etc.



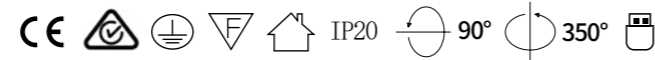
Unit:mm



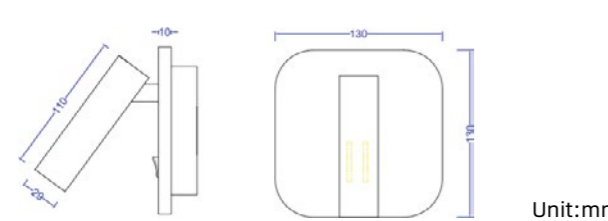
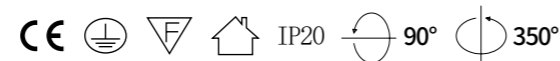


Unit:mm

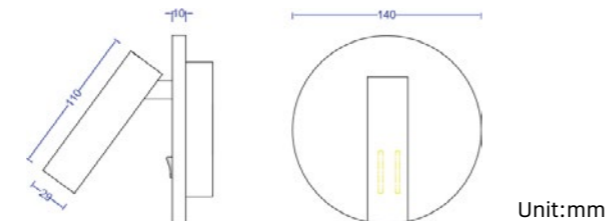
Code : DL064
Input : AC100~240V
Light Source : LED 3W Osram/ 6W SMD back mood
CCT : 2700K/3000K/4000K
Beam Angle : 30° or customized
Lumen : 120 lm for reading light
Driver : UL/SAA/TUV/CE listed
Plug : Hard wired or custom wall plug
Installation : Surface mounted
Switch : Twin BJB switch on plate
USB Outlet : Twin 5V 2.1A fast charger
Finish : Matt black, matt white, chrome, wood grain, satin nickel, matt nickel, brushed brass, etc.



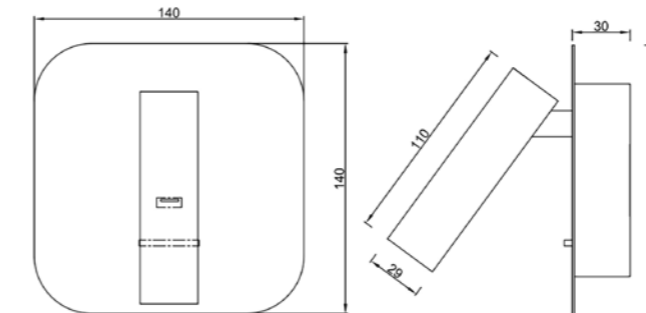
Code : DL-S1239/S1238
Input : AC100~240V
Light Source : LED 3W Osram/ 6W SMD back mood
CCT : 2700K/3000K/4000K
Beam Angle : 30° or customized
Lumen : 120 lm for reading light
Driver : UL/SAA/TUV/CE listed
Plug : Hard wired or custom wall plug
Installation : Surface mounted
Switch : Twin BJB switch on plate
Finish : Matt black, matt white, chrome, wood grain, satin nickel, matt nickel, brushed brass, etc.



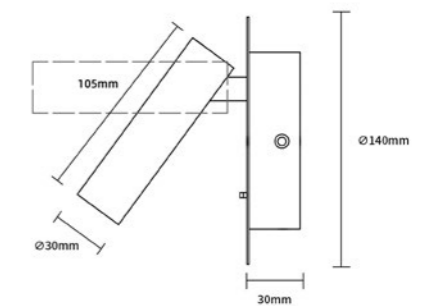
Unit:mm



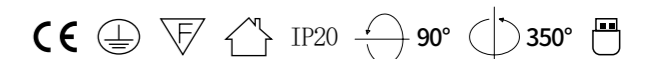
Unit:mm

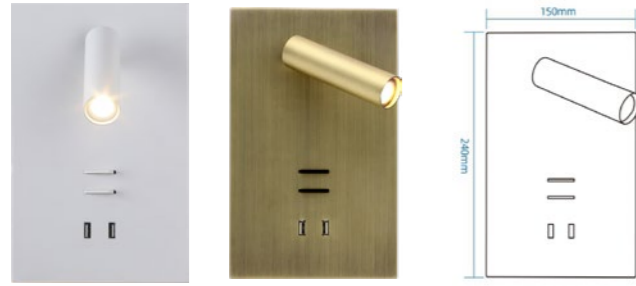


Code : DL068
Input : AC100~240V
Light Source : 3W Osram
USB : Output 5V 2.1A
Lumen : 150lm
Installation : Surface mounted
Switch : Rocker switch on plate
Finish : Matt white/Matt black/Satin nickel/Brushed brass

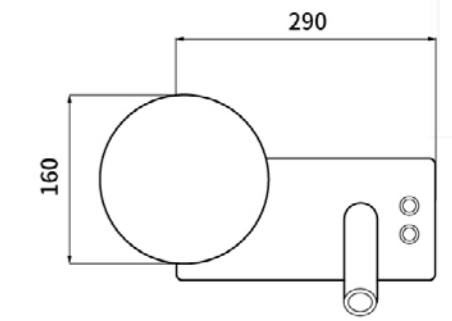
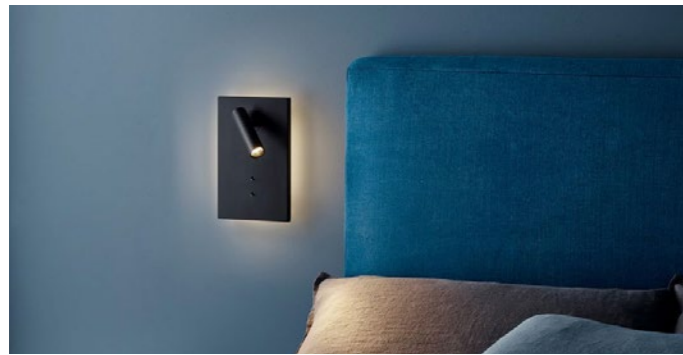
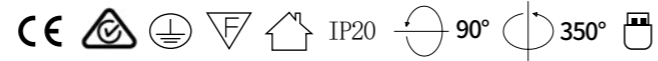


Code : DL069
Input : AC100~240V
Light Source : 3W Osram LED
Beam Angle : 30° or customized
Lumen : 150lm
USB : Output 5V 2.1A
Installation : Surface mounted
Switch : Rocker switch on plate
Finish : Matt black/Matt white





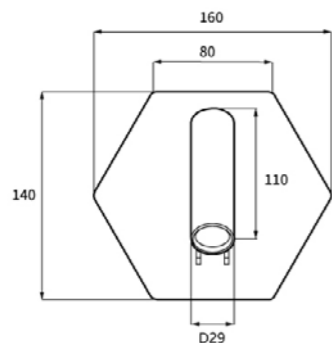
Code : DL0629
Input : AC100~240V
Light Source : LED 3W Osram
CCT : 2700K/3000K/4000K
Beam Angle : 30° or customized
Lumen : 120 lm
Driver : UL/SAA/TUV/CE listed
Plug : Hard wired or custom wall plug
Installation : Surface mounted
Switch : Twin BJB switch on plate
USB Outlet : 5V 2.1A fast charger
Finish : Matt black, matt white, chrome, satin nickel



Code : DL043
Light Source : Osram 3W + 6W backlit
CCT : 3000K/4000K
Installation : Surface mounted
Switch : Twin touch dimmable switch
Finish : Matt black/Matt white/Matt white +light wood grain/Matt black+ brushed brass



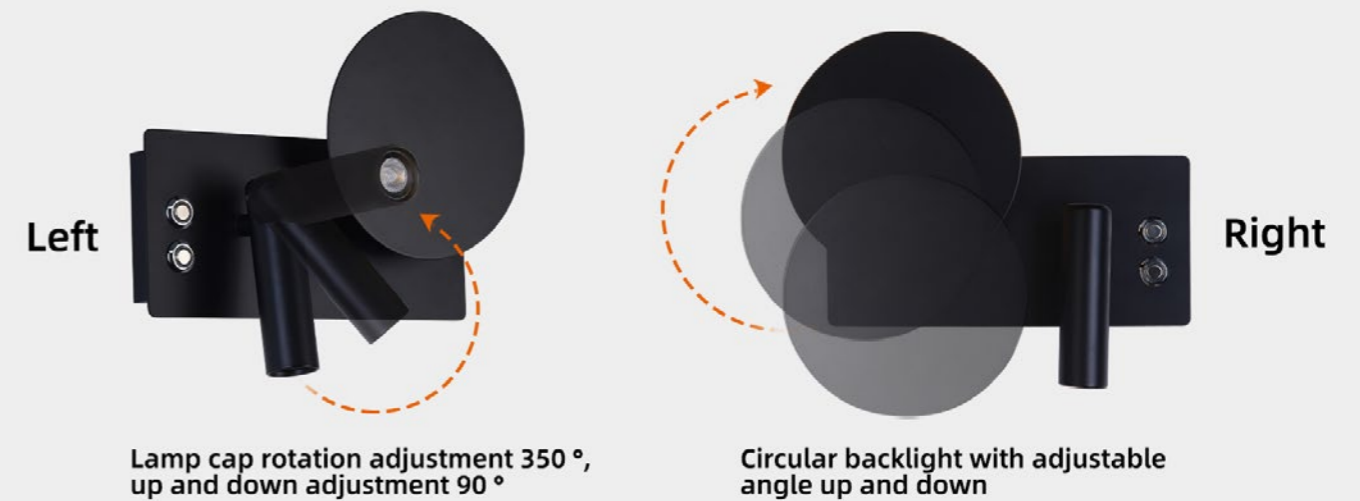
Built-in acrylic light belt



Code : DL098
Input : AC100~240V
Light Source : Osram 3W + 6W backlit
CCT : 3000K/4000K
Beam Angle : 30° or customized
Lumen : 150lm
Installation : Surface mounted
Switch : Slim switch
Finish : Matt black/Matt white

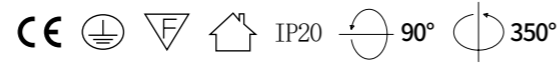


Intimate design, two-way optional

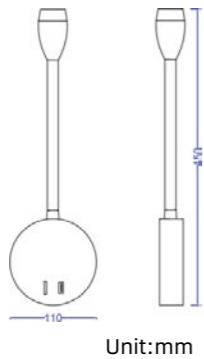
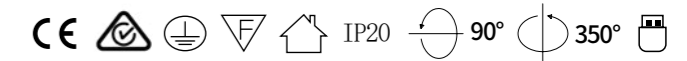




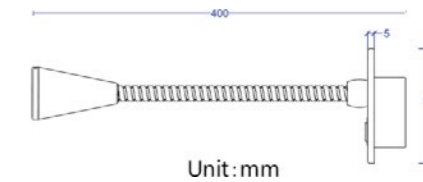
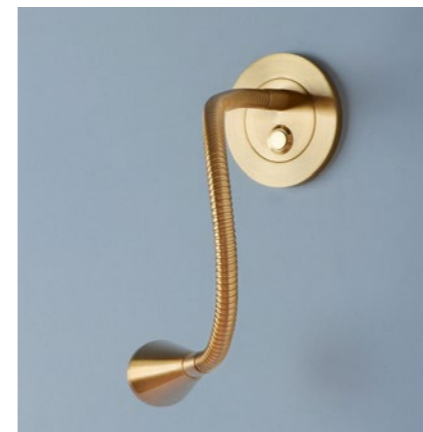
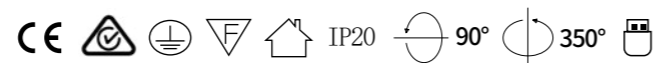
Code : DL-H0501
Input : AC100~240V
Light Source : LED 3W Osram
CCT : 2700K/3000K/4000K
Beam Angle : 30° or customized
Lumen : 120 lm
Driver : UL/SAA/TUV/CE listed
Plug : Hard wired or custom wall plug
Installation : Surface mounted
Switch : BJB switch on plate
Finish : Brushod brass,black bronze etc



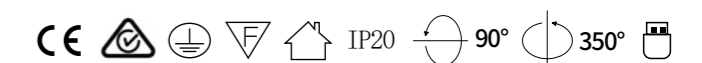
Code : DL050
Input : AC100~240V
Light Source : LED 3W Osram
CCT : 2700K/3000K/4000K
Beam Angle : 30° or customized
Lumen : 120 lm
Driver : UL/SAA/TUV/CE listed
Plug : Hard wired
Installation : Surface mounted
Switch : BJB switch on plate
USB Outle : 5V 2.1A fast charger
Finish : Matt black, matt white, chrome,satin nickel, matt nickel, brushed brass, black bronze etc.

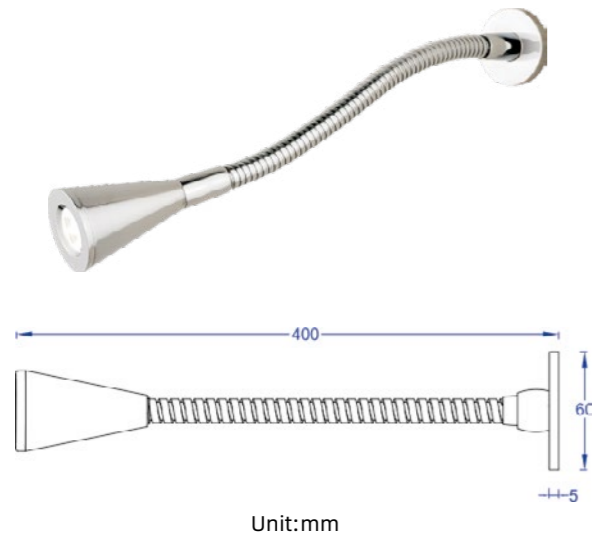


Code : DL049
Input : AC100~240V
Light Source : LED 3W Osram
CCT : 2700K/3000K/4000K
Beam Angle : 30° or customized
Lumen : 120 lm
Driver : UL/SAA/TUV/CE listed
Plug : Hard wired
Installation : Surface mounted
Switch : BJB switch on plate
USB Outle : 5V 2.1A fast charger
Finish : Matt black, matt white, chrome,satin nickel, matt nickel, brushed brass, black bronze etc.

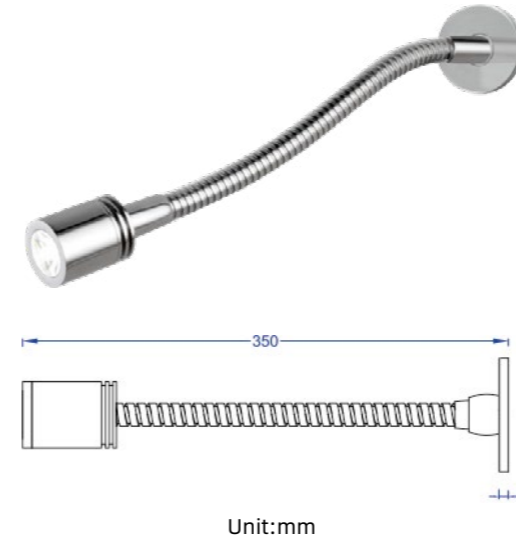


Code : DL051
Input : AC100~240V
Light Source : LED 3W Osram
CCT : 2700K/3000K/4000K
Beam Angle : 30° or customized
Lumen : 120 lm
Driver : UL/SAA/TUV/CE listed
Plug : Hard wired
Installation : Recessed
Switch : Metal push switch on plate
Finish : Matt black, matt white, chrome, satin nickel, matt nickel, etc.

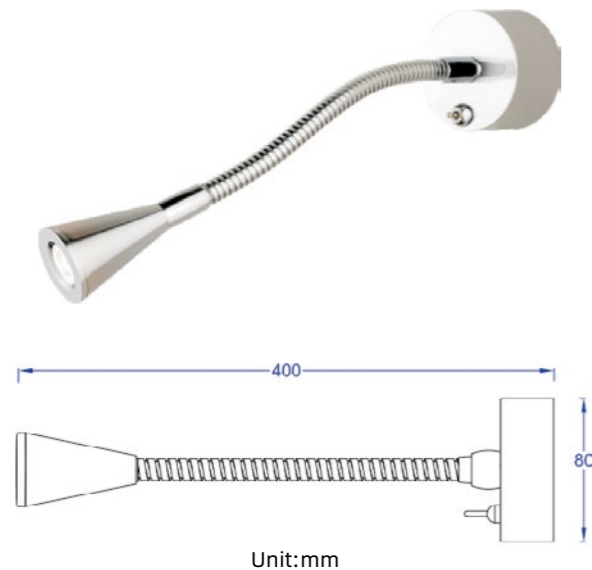




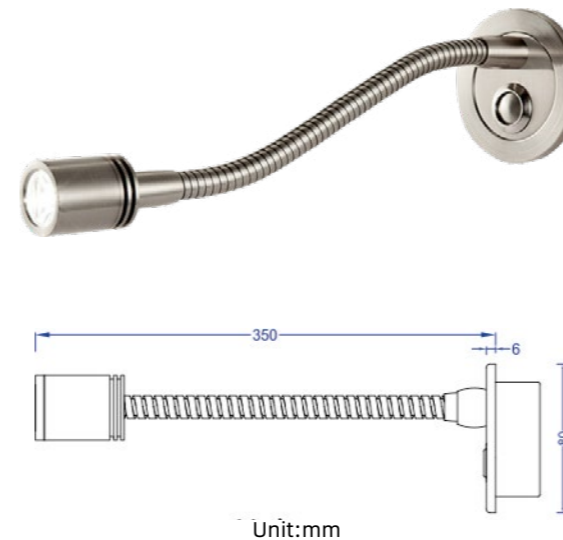
Code : DL051
Input : AC100~240V
Light Source : LED 3W Osram
CCT : 2700K/3000K/4000K
Beam Angle : 30° or customized
Lumen: 120 lm
Driver: UL/SAA/TUV/CE listed
Plug: Hard wired
Installation : Recessed
Switch: No switch
Finish : Matt black, matt white, chrome, satin nickel, matt nickel, etc.



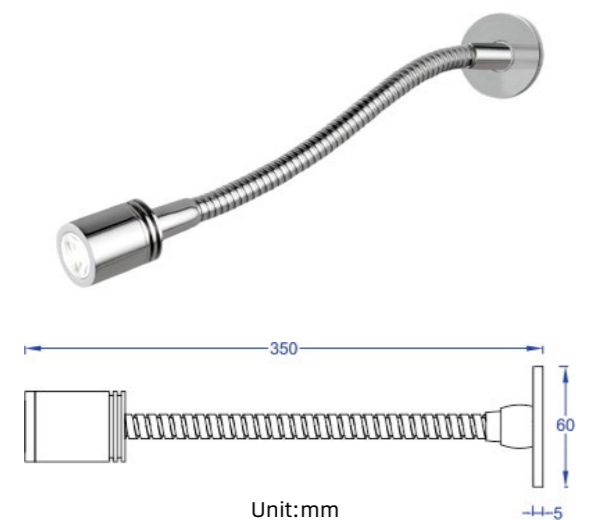
Code : DL054
Input : AC100~240V
Light Source : LED 3W Osram
CCT : 2700K/3000K/4000K
Beam Angle : 30° or customized
Lumen: 120 lm
Driver: UL/SAA/TUV/CE listed
Plug: Hard wired
Installation : Recessed
Switch: No switch
Finish : Matt black, matt white, chrome, satin nickel, matt nickel, etc.



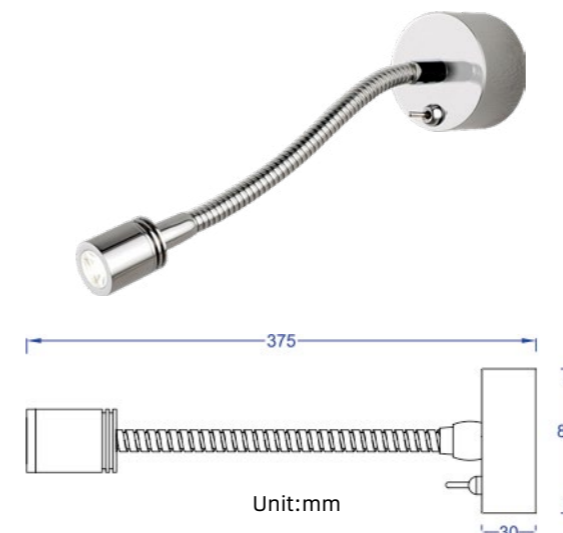
Code : DL052
Input : AC100~240V
Light Source : LED 3W Osram
CCT : 2700K/3000K/4000K
Beam Angle : 30° or customized
Lumen: 120 lm
Driver: UL/SAA/TUV/CE listed
Plug: Hard wired
Installation : Surface mounted
Switch: Toggle switch on plate
Finish : Matt black, matt white, chrome, satin nickel, matt nickel, brushed brass, black bronze etc.



Code : DL055
Input : AC100~240V
Light Source : LED 3W Osram
CCT : 2700K/3000K/4000K
Beam Angle : 30° or customized
Lumen: 120 lm
Driver: UL/SAA/TUV/CE listed
Plug: Hard wired
Installation : Recessed
Switch: Metal push switch on plate
Finish : Matt black, matt white, chrome, satin nickel, matt nickel, etc.

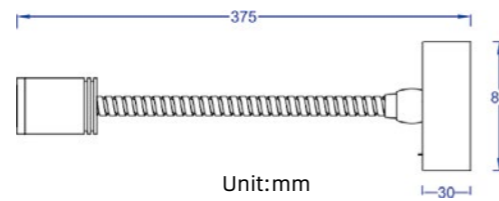


Code : DL053
Input : AC100~240V
Light Source : LED 3W Osram
CCT : 2700K/3000K/4000K
Beam Angle : 30° or customized
Lumen: 120 lm
Driver: UL/SAA/TUV/CE listed
Plug: Hard wired
Installation : Recessed
Switch: No switch
Finish : Matt black, matt white, chrome, satin nickel, matt nickel, etc.

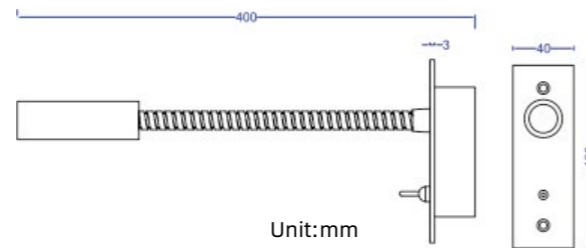


Code : DL056
Input : AC100~240V
Light Source : LED 3W Osram
CCT : 2700K/3000K/4000K
Beam Angle : 30° or customized
Lumen: 120 lm
Driver: UL/SAA/TUV/CE listed
Plug: Hard wired
Installation : Surface mounted
Switch: Toggle switch on plate
Finish : Matt black, matt white, chrome, satin nickel, matt nickel, etc.

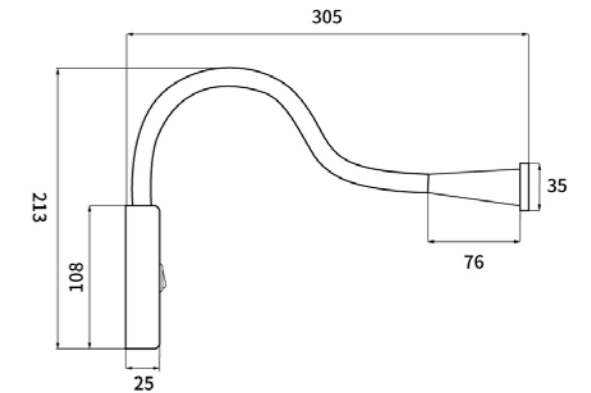




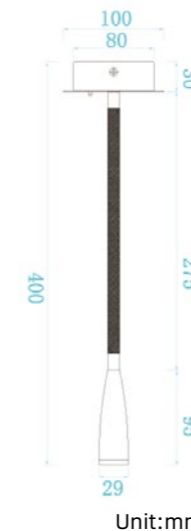
Code : DL-WS0332
Input : AC100~240V
Light Source : LED 3W Osram
CCT : 2700K/3000K/4000K
Beam Angle : 30° or customized
Lumen: 120 lm
Driver: UL/SAA/TUV/CE listed
Plug: Hard wired
Installation : Surface mounted
Switch: Slim rocker switch on plate
Finish : Matt black, matt white, chrome, satin nickel, matt nickel, brushed brass, black bronze etc.



Code : DL-WS0331
Input : AC100~240V
Light Source : LED 3W Osram
CCT : 2700K/3000K/4000K
Beam Angle : 30° or customized
Lumen: 120 lm
Driver: UL/SAA/TUV/CE listed
Plug: Hard wired
Installation : Surface mounted
Switch: Toggle switch on plate
Finish : Matt black, matt white, chrome, satin nickel, matt nickel, brushed brass, black bronze etc.



Code : DL091
Input : AC100~240V
Light Source : Osram 3W
CCT : 3000K/4000K
Characteristic : Black leather flexible arm
Installation: Surface mounted
Switch: Rocker switch
Finish: Matt black



Code : DL184/111
Input : AC220~240V
Light Source : 3W Cree LED
CCT : 2700K/3000K/4000K
Lumen: 150lm
Driver: Eaglerise brand
Installation : Surface mounted
Switch: slim rocker switch
Finish : brushed brass, wooden color





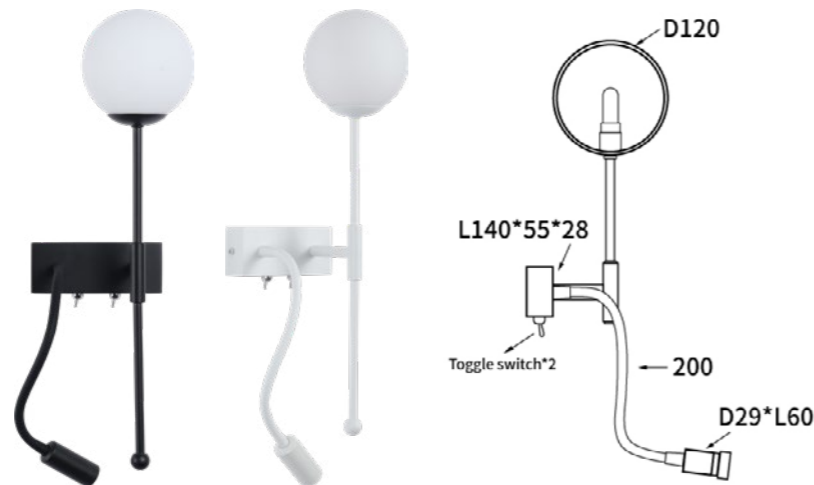
Code : DL016
Input : AC100~240V
Light Source : G9 + 3W Osram
CCT : 3000K/4000K
Installation : Surface mounted
Switch : Slim rocker switch
Finish : Matt white/Matt black

FC CE IP20

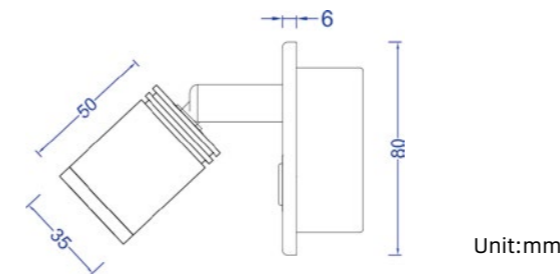


Code : DL012
Input : AC100~240V
Light Source : G9 + 3W Osram
CCT : 3000K/4000K
Installation : Surface mounted
Switch : Toggle switch
Finish : Matt black//Matt white

FC CE IP20

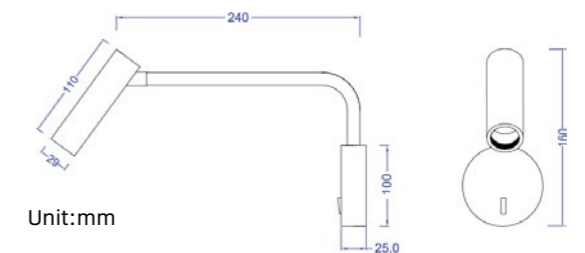


Code : DL059
Input : AC100~240V
Light Source : LED 3W Osram
CCT : 2700K/3000K/4000K
Beam Angle : 30° or customized
Lumen : 120lm
USB Outle : 5V 2.1A fast charger
Driver : UL/SAA/TUV/CE listed
Plug : Hard wired or custom wall plug
Installation : Recessed into wall/headboard
Switch : Metal push switch on plate
Finish : Matt black, matt white, chrome, satin nickel matt nickel, brushed brass, black bronze etc.



Cutout size: L155 x W55 x H40mm

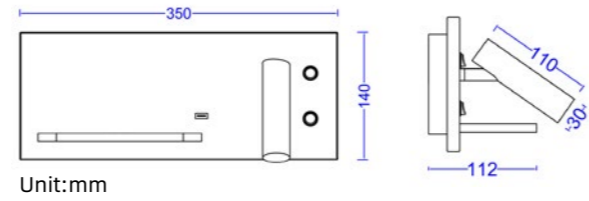
CE IP20 90° 350°



Code : DL-O1147
Input : AC100~240V
Light Source : LED 3W Osram
CCT : 2700K/3000K/4000K
Beam Angle : 30° or customized
Lumen : 120lm
Driver : UL/SAA/TUV/CE listed
Plug : Hard wired or custom wall plug
Installation : Surface mounted
Switch : Slim rocker switch on plate
Finish : Matt black, matt white, chrome, satin nickel, Bronze etc.

CE IP20 90° 350°





Code : DL-I1441
Input : AC100~240V
Light Source : LED 3W Osram/ 6W SMD back mood
CCT : 2700K/3000K/4000K
Beam Angle : 30° or customized
Lumen : 120 lm lm for reading light
Driver : UL/SAA/TUV/CE listed
Plug : Hard wired or custom wall plug
Installation : Surface mounted
Switch : Round rocker switch on plate
USB Outlet : Twin 5V 2.1A fast charger
Shelf : 5V 1A Wireless charger
Finish : Matt black, matt white, chrome, wood grain, satin nickel, matt nickel, brushed brass, etc.

CE ⚡ ⚠️ 🏠 IP20 90° 350° 📱 (🔋)

Intimate design, two-way optional

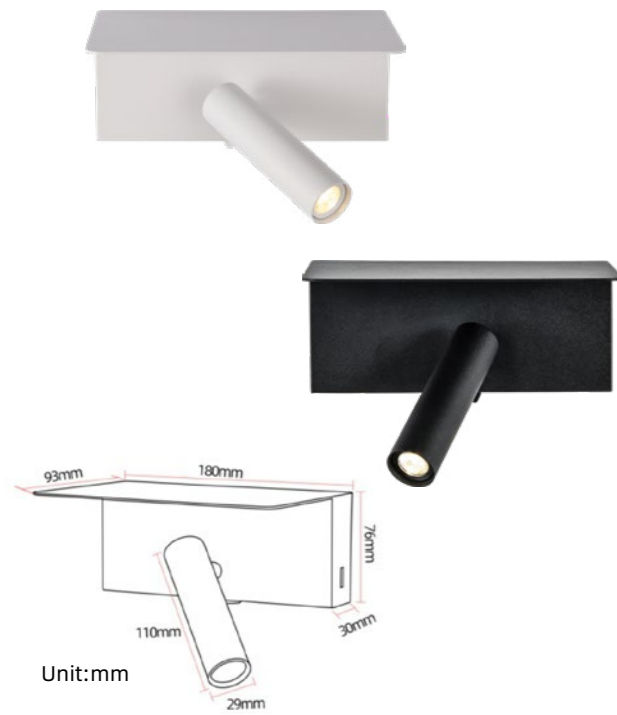


Left

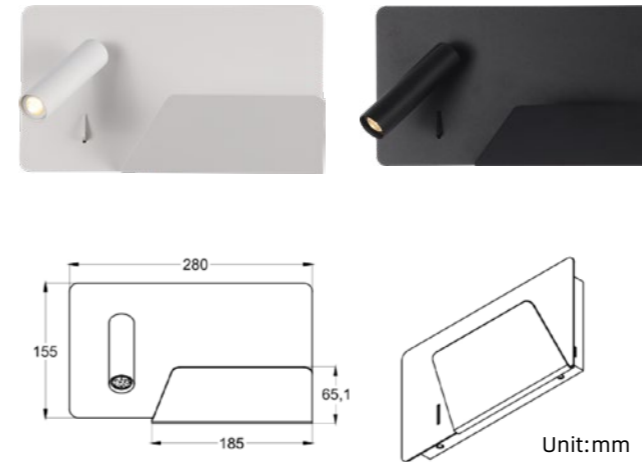
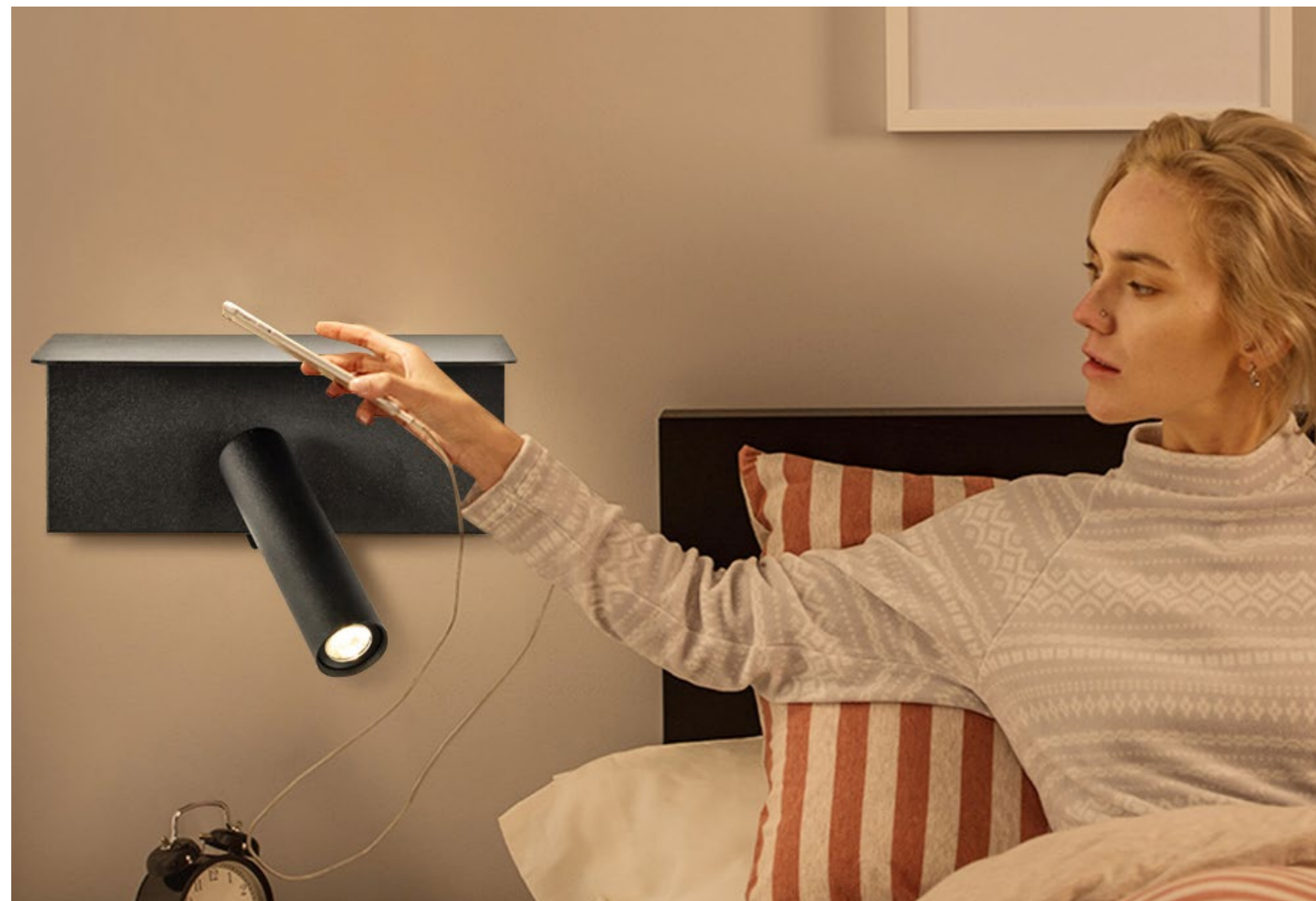
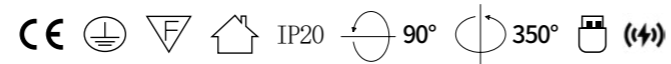


Right

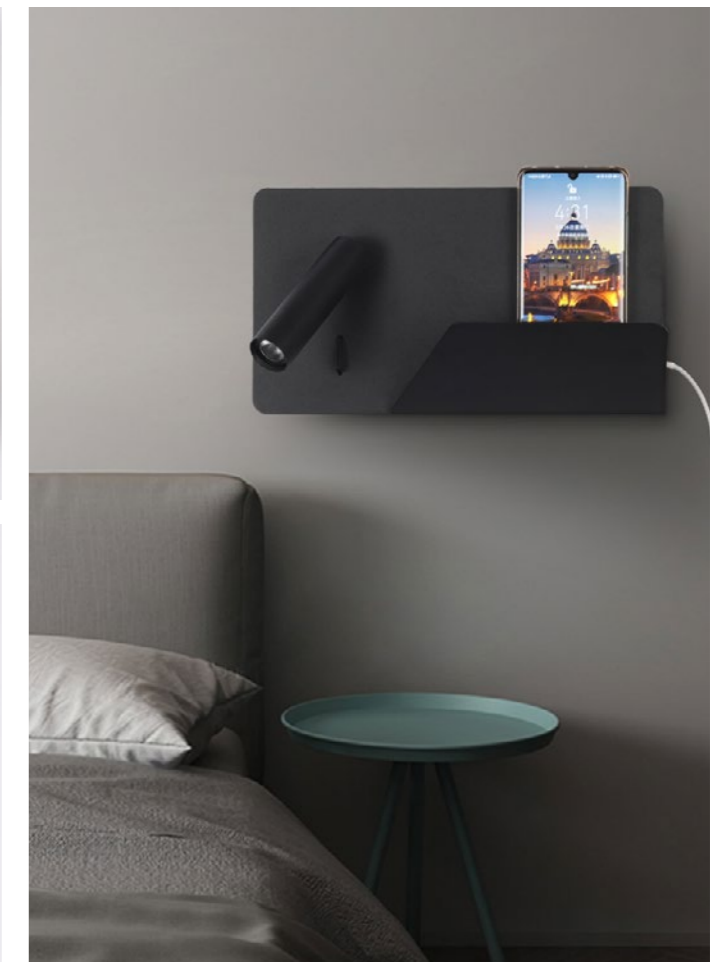
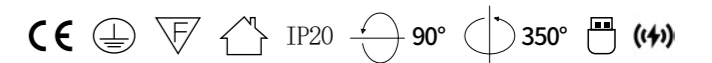


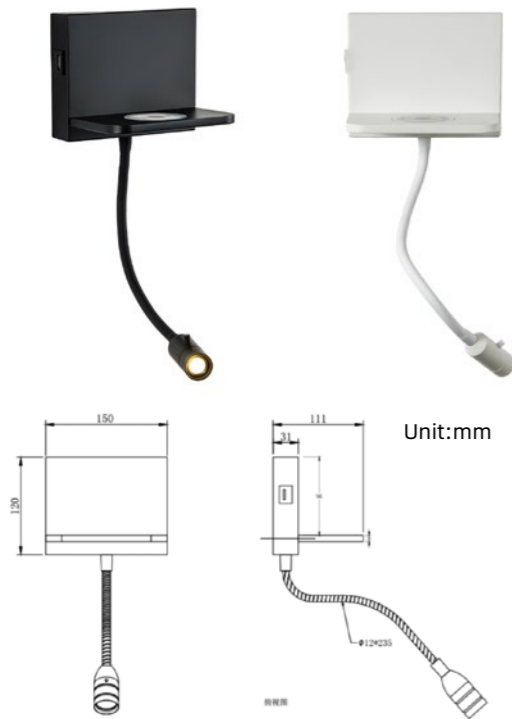


Code : DL071
 Input : AC100~240V
 Light Source : LED 3W Osram
 CCT : 2700K/3000K/4000K
 Beam Angle : 30° or customized
 Lumen : 120 lm
 Driver : UL/SAA/TUV/CE listed
 Plug : Hard wired or custom wall plug
 Installation : Recessed into wall/headboard
 Switch : BJB switch/slim rocker switch
 Finish : Matt black, matt white, chrome, satin nickel

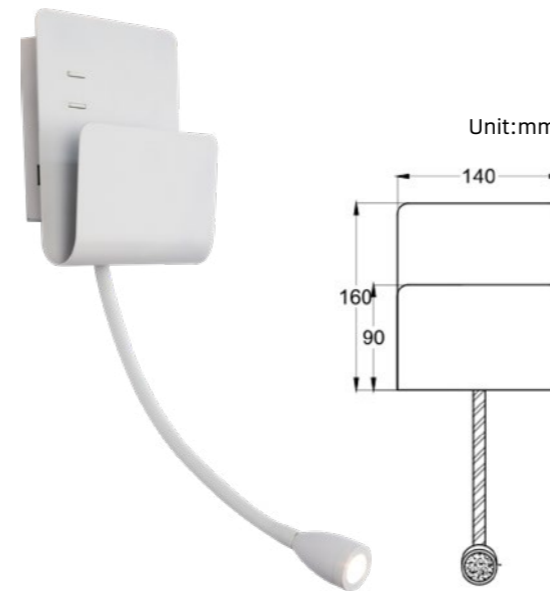
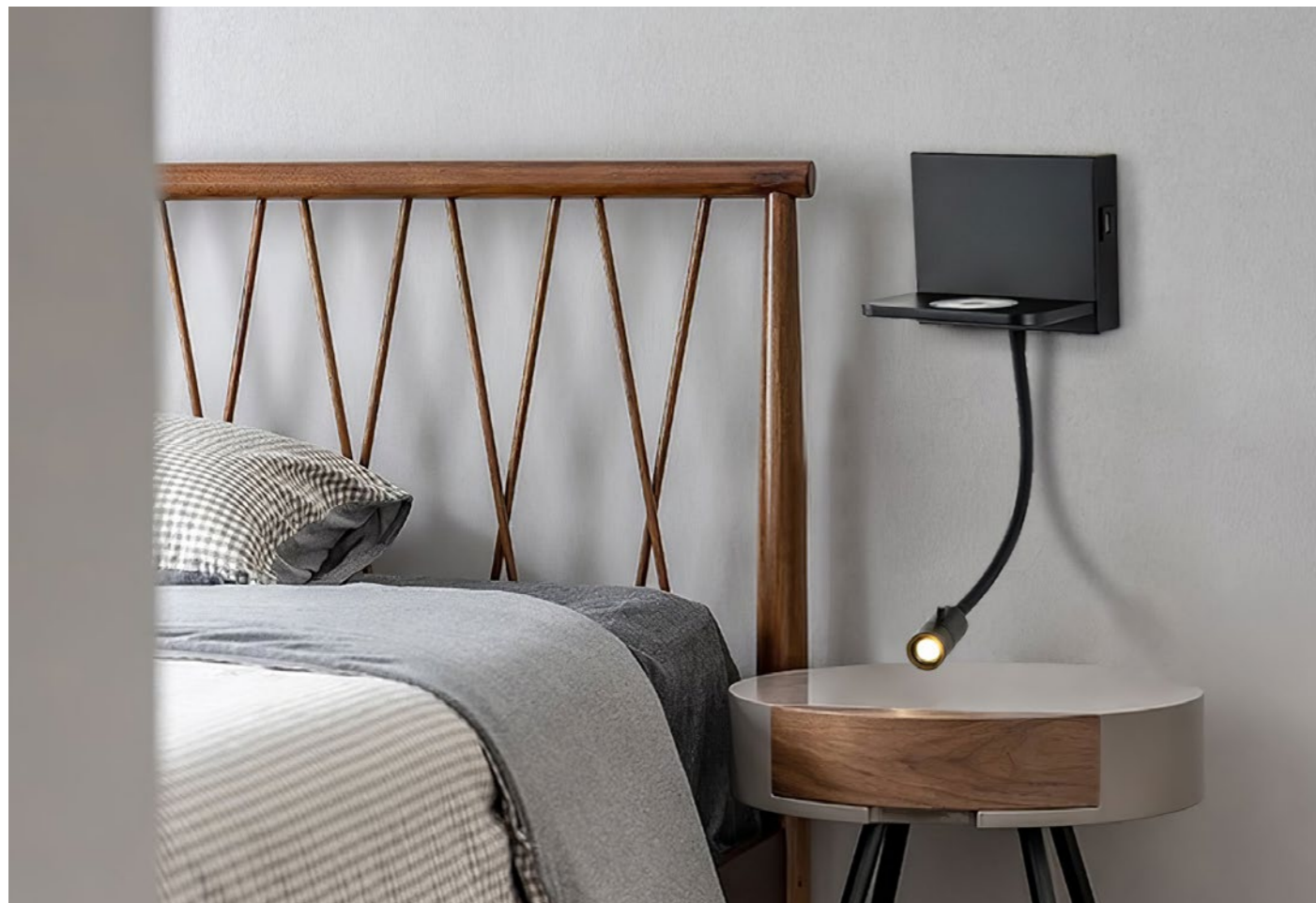
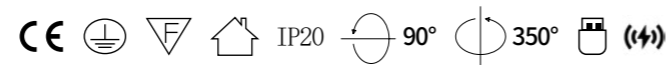


Code : DL072
 Input : AC100~240V
 Light Source : LED 3W Osram
 CCT : 2700K/3000K/4000K
 Beam Angle : 30° or customized
 Lumen : 120 lm
 Driver : UL/SAA/TUV/CE listed
 Plug : Hard wired or custom wall plug
 Installation : Recessed into wall/headboard
 Switch : BJB switch/slim rocker switch
 USB Outlet : 5V 2.1A fast charger
 Finish : Matt black, matt white, chrome, satin nickel

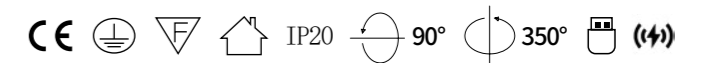


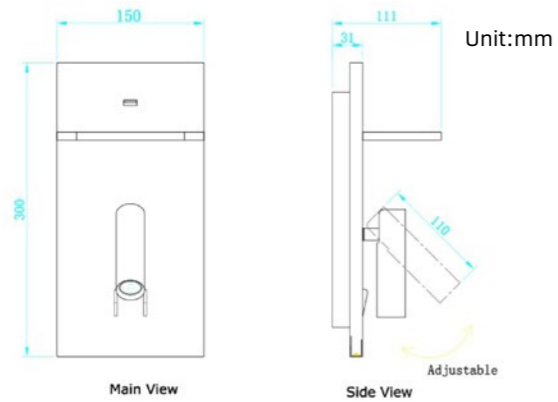


Code : DL073
 Input : AC100~240V
 Light Source : LED 3W Osram
 CCT : 2700K/3000K/4000K
 Beam Angle : 30° or customized
 Lumen : 120 lm
 Driver : UL/SAA/TUV/CE listed
 Plug : Hard wired or custom wall plug
 Installation : Recessed into wall/headboard
 Switch : Push switch on head
 USB Outlet : 5V 2.1A fast charger
 Finish : Matt black, matt white, chrome, satin nickel
 Wireless charger : 5W on shelf

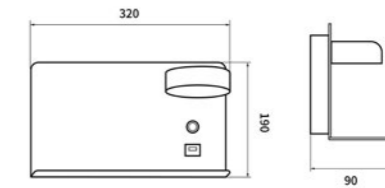
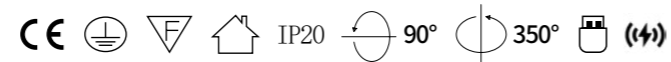


Code : DL074
 Input : AC100~240V
 Light Source : LED 3W Osram
 CCT : 2700K/3000K/4000K
 Beam Angle : 30° or customized
 Lumen : 120 lm
 Driver : UL/SAA/TUV/CE listed
 Plug : Hard wired or custom wall plug
 Installation : Surface mounted
 Switch : Twin BJB switch on plate
 USB Outlet : 5V 2.1A fast charger
 Finish : Matt black, matt white, chrome, satin nickel

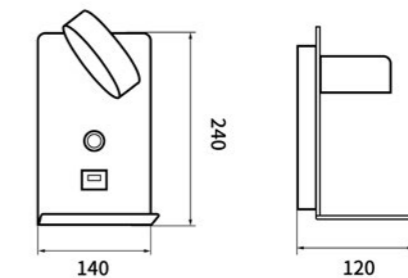




Code : DL075
Input : AC100~240V
Light Source : LED 3W Osram
CCT : 2700K/3000K/4000K
Beam Angle : 30° or customized
Lumen: 120 lm
Driver: UL/SAA/TUV/CE listed
Plug: Hard wired or custom wall plug
Installation : Recessed into wall/headboard
Switch: Twin BJB switch on plate
USB Outlet : 5V 2.1A fast charger
Finish : Matt black, matt white, chrome, satin nickel

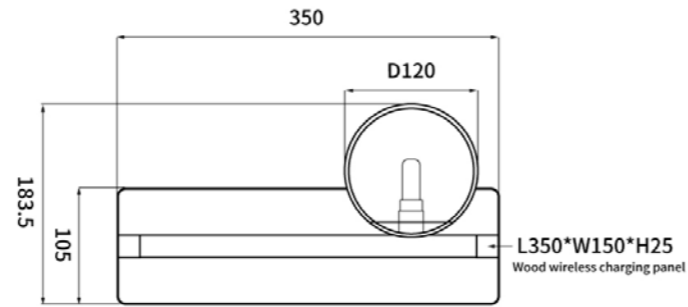


Code : DL220
Input : AC110~240V
Light Source : 12W Osram LED
CCT : 2700K/3000K/4000K
Beam Angle : 30°
Lumen: 150 lm
Driver: Eaglerise brand
Installation : Surface mounted
Switch: Metal push switch on plate
USB Outlet : 5V 2.1A
Finish : Matt black, matt white



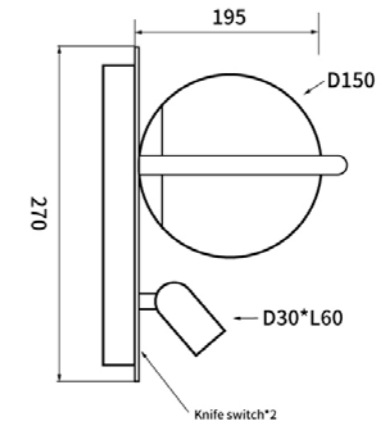
Code : DL220S
Input : AC110~240V
Light Source : 12W Osram LED
CCT : 2700K/3000K/4000K
Beam Angle : 30°
Lumen: 150 lm
Driver: Eaglerise brand
Installation : Surface mounted
Switch: Metal push switch on plate
USB Outlet : 5V 2.1A
Finish : Matt black, matt white





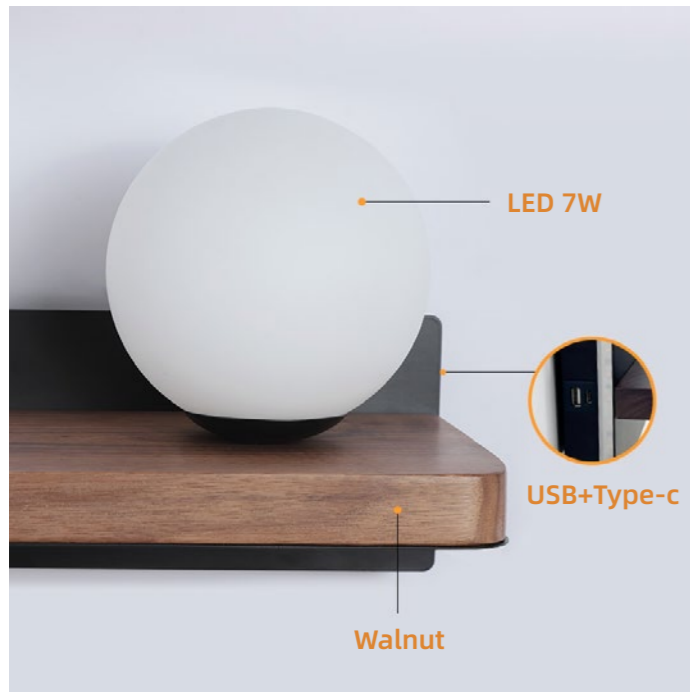
Code : DL017
Input : AC100~240V
Light Source : SMD 5W Globe
CCT : 3000K/4000K
USB: 5V 2.1A +Type-C
Installation : Surface Mounted
Switch: Touch dimmable switch
Finish: Matt white + walnut wood
 Matt black + walnut wood

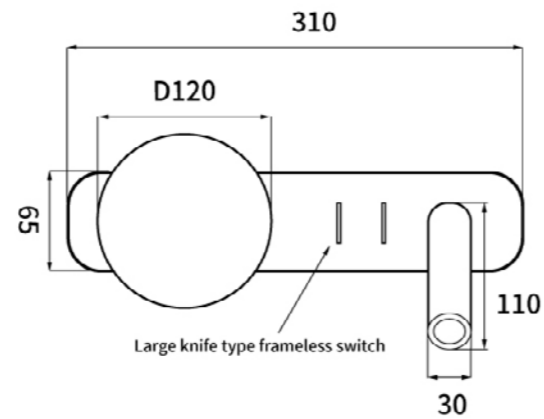
FC CE IP20



Code : DL015
Input : AC100~240V
Light Source : G9 + 3W Osram
CCT : 3000K/4000K
Installation: Surface mounted
Switch: Twin slim rocker switch
Finish: Matt white/Matt black

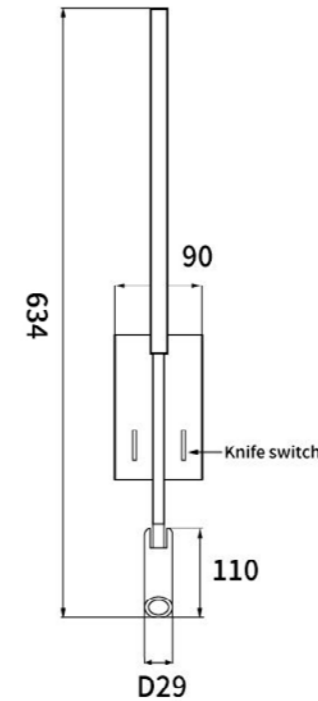
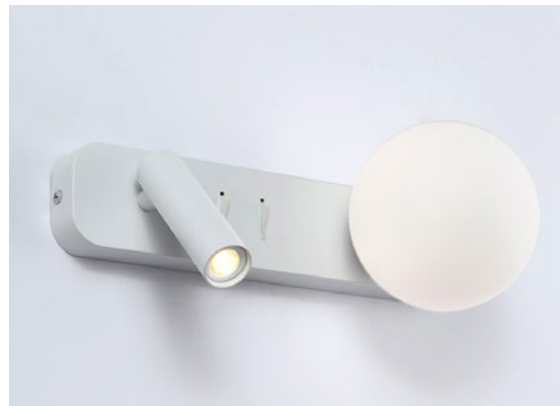
FC CE IP20 90° 350°





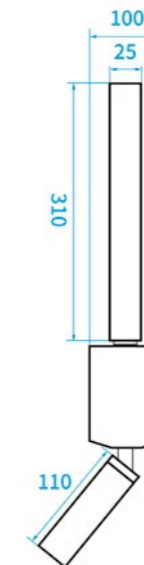
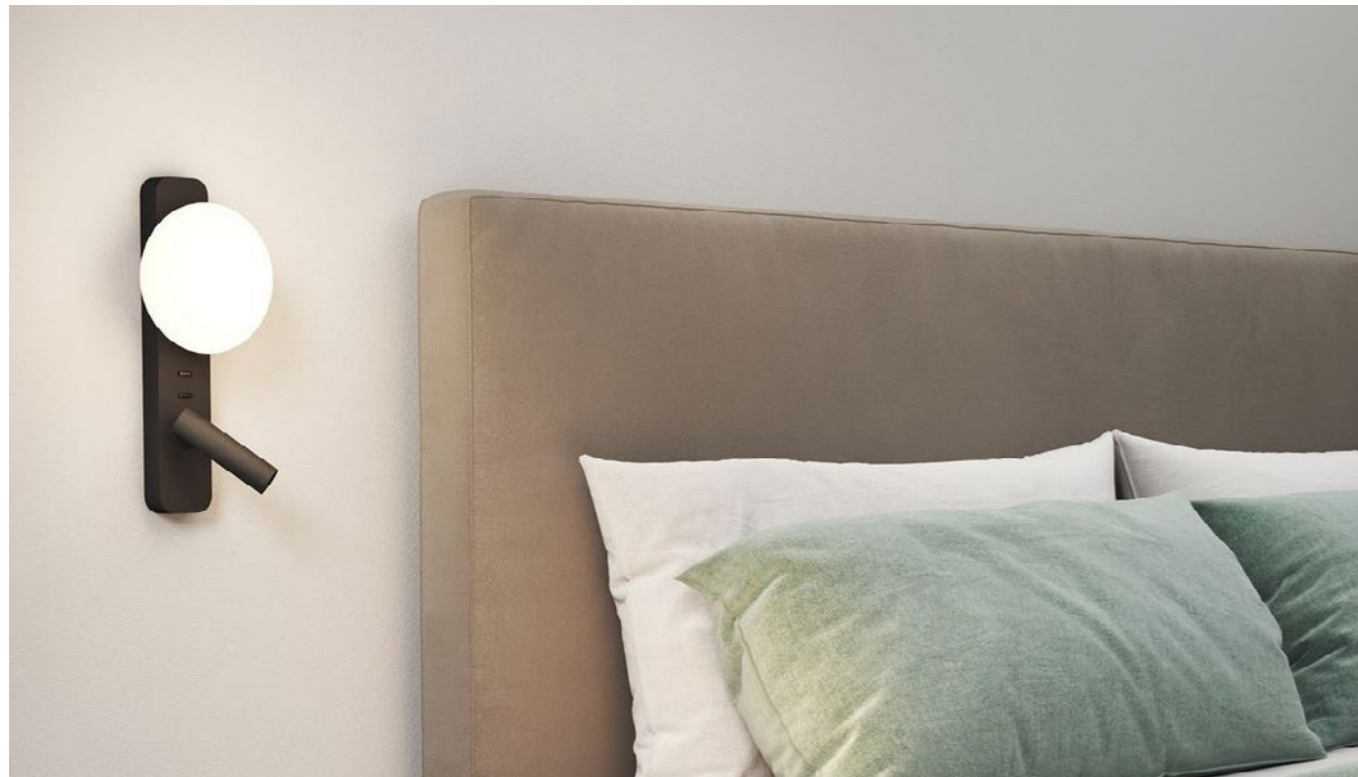
Code : DL0627
Input : AC100~240V
Light Source : G9 + 3W Osram
CCT : 3000K/4000K
Installation : Surface mounted
Switch : Twin slim rocker switch
Finish : Matt white/Matt black

FC CE IP20 90° 350°



Code : DL013
Input : AC100~240V
Light Source : 6W SMD backlit + 3W Osram Reading
CCT : 3000K/4000K
Driver : Eaglerise brand
Installation : Surface mounted
Switch : Slim rocker switch
Finish : Matt black/Matt white/brush brass

FC CE IP20 90° 350°

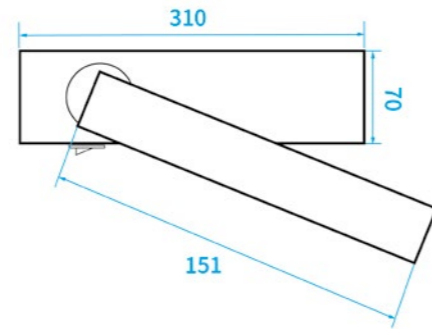


Code : DL040
Input : AC100~240V
Light Source : 3W SMD backlit + 2W Osram Reading
CCT : 3000K/4000K/6000K
Driver : Eaglerise brand
Installation : Surface mounted
Switch : Twin switch
Finish : Matt black/Matt white

FC CE IP20 90° 350°

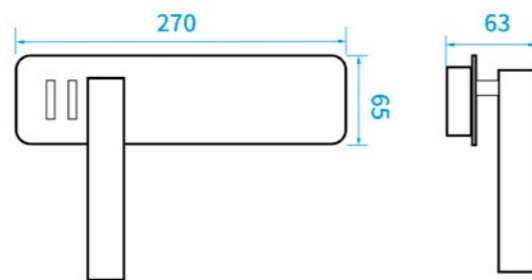


Two installation methods



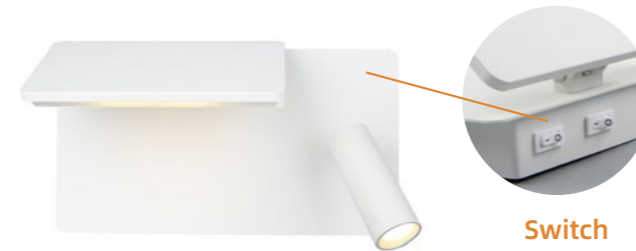
Code : DL224
Input : AC100~240V
Light Source : G9 + 3W Osram
CCT : 3000K/4000K/6000K
Installation: Surface mounted
Driver: Eaglerise brand
Switch: Rocker switch
Finish: Matt white/Matt black

FC CE IP20 90° 350°

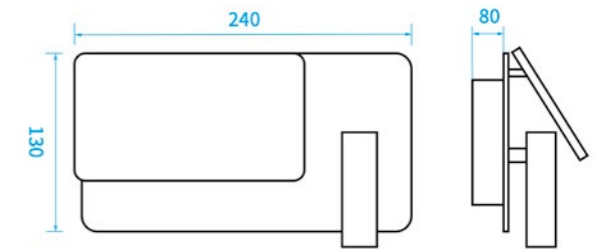


Code : DL071
Input : AC110~240V
Light Source : 6W SMD backlit + 3W Osram Reading
CCT : 3000K/4000K/6000K
Installation: Surface mounted
Driver: Eaglerise brand
Switch: 2pcs BJB switch to control seperately
Finish: sand white/sand black

FC CE IP20 90° 350°

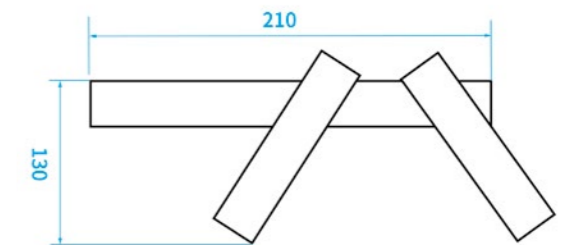
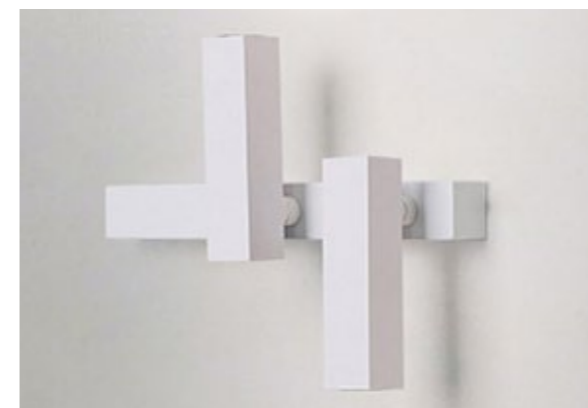


Switch



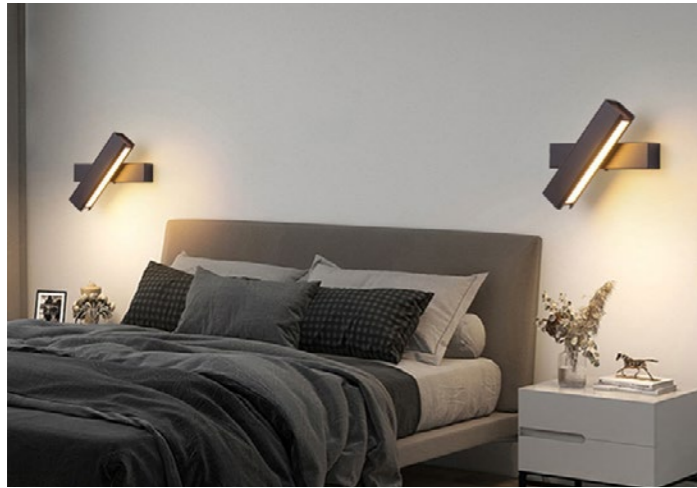
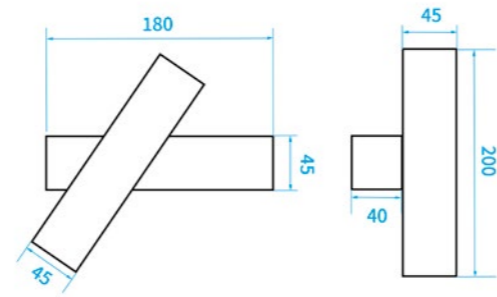
Code : DL223
Input : AC100~240V
Light Source : 6W SMD backlit + 3W Osram Reading
CCT : 3000K/4000K/6000K
Installation: Surface mounted
Driver: Eaglerise brand
Switch: Twin switch
Finish: sand white/sand black

FC CE IP20 90° 350°



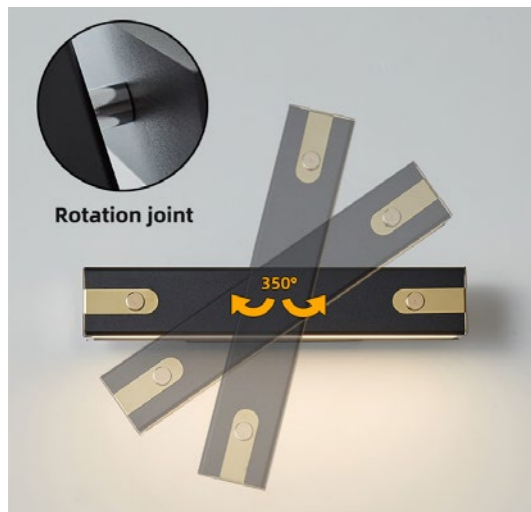
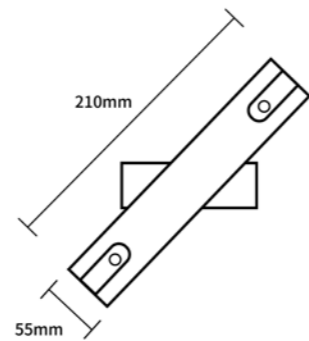
Code : DL221
Input : AC110~240V
Light Source : 10W Cree LED
Lumen: 150lm
CCT : 3000K/4000K/6000K
Installation: Surface mounted
Driver: Eaglerise brand
Beam Angle : Beam angle 30°
Finish: Matt black/Matt white

FC CE IP20 90° 350°



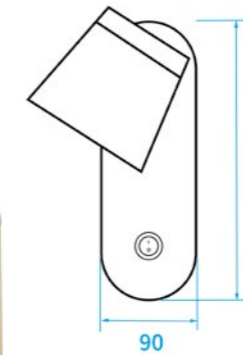
Code : DL077
Input : AC100~240V
Light Source : Osram 8W
CCT : 3000K+4000K+6000K
Driver : Eaglerise brand
Installation : Surface mounted
Switch : Rocker switch
Finish : sand black/sand white

FC CE IP20 350°



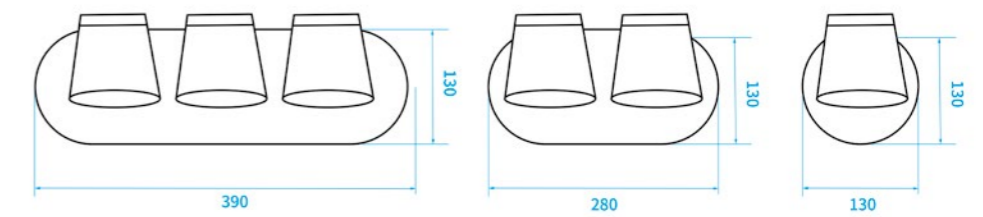
Code : DL073
Input : AC100~240V
Light Source : SMD 7W
CCT : 3000K
Installation : Surface mounted
Switch : No switch
Finish : Matt white+ gold / Matt black + gold

FC CE IP20 350°



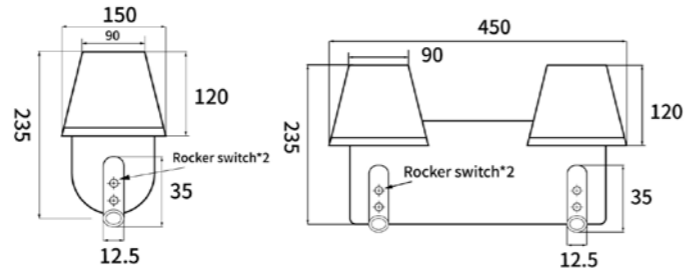
Code : DL217
Input : AC220~240V
Light Source : Osram 7W
CCT : 3000K/4000K/6000K
Installation : Surface mounted
Driver : Eaglerise brand
Switch : Rocker switch
Finish : metal base +wood panel+acrylic lampshade+die-casting aluminum lamp cup

FC CE IP20 90° 350°



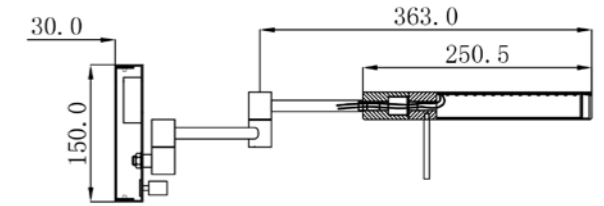
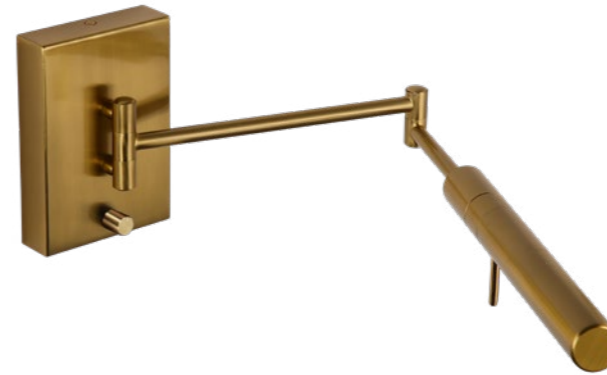
Code : DL218
Input : AC110~240V
Light Source : Osram 8W
CCT : 3000K+4000K+6000K
Installation : Surface mounted
Driver : Eaglerise brand
Finish : sand white

FC CE IP20 90° 350°



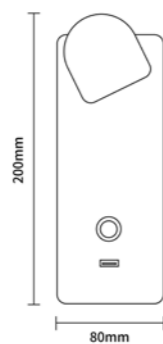
Code : DL127
Input : AC100~240V
Light Source : Osram 3W
CCT : 3000K/4000K
Uplight: 6W
Installation: Surface mounted
Switch: Touch switch
Finish: Brushed brass

FC CE IP20



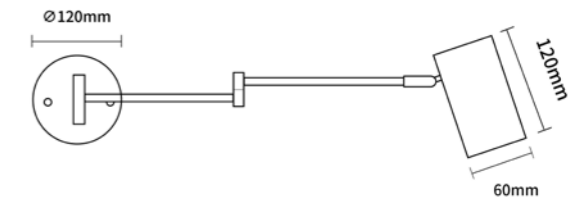
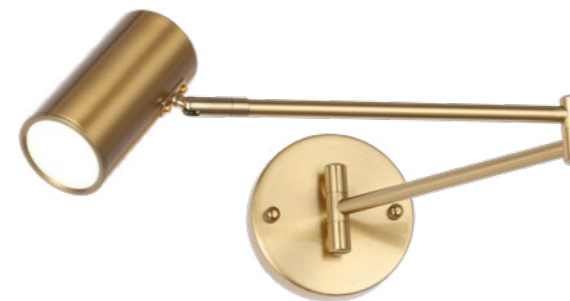
Code : DL044
Input : AC100~240V
Light Source : SMD 5W
CCT : 3000K/4000K
Installation: Surface mounted
Switch: Roll switch Roll dimmable switch
Finish: Brushed brass

FC CE IP20



Code : DL0628
Input : AC100~240V
Light Source : COB 5W
CCT : 3000K/4000K
Lumen : 200~220lm
USB: Output 5V 2.1A
Installation: Surface mounted
Switch: Metal push switch on plate
Finish: Sand black+ brushed brass

FC CE IP20

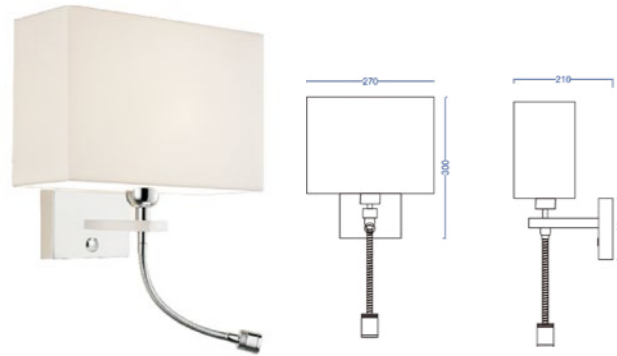


Code : DL076
Input : AC100~240V
Light Source : 5W GU10
Installation: Surface mounted
Switch: No switch
Finish: Brushed brass

FC CE IP20



Preferred metal material Lamp arm rotatable



L:300MM W:270MM E:210MM

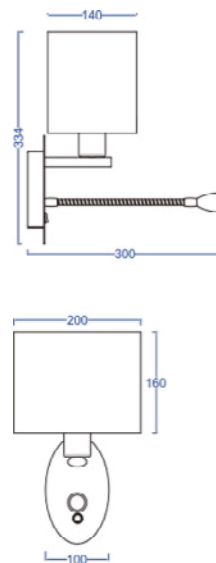


L:200MM W:350MM E:245MM

Code : DL042,043
Input : AC100~240V
Light Source : LED 3W Osram
CCT : 2700K/3000K/4000K
Beam Angle : 30° or customized
Lumen: 120 lm
Mood Light : 1x E27 lamp max 40W
Shade : Fabric TBA
Driver: UL/SAA/TUV/CE listed
Plug: Hard wired
Installation : Surface Mounted
Switch: Single metal push switch on plate
Finish : Chrome, satin nickel, black chrome, etc.



L:335MM W:200MM E:300MM



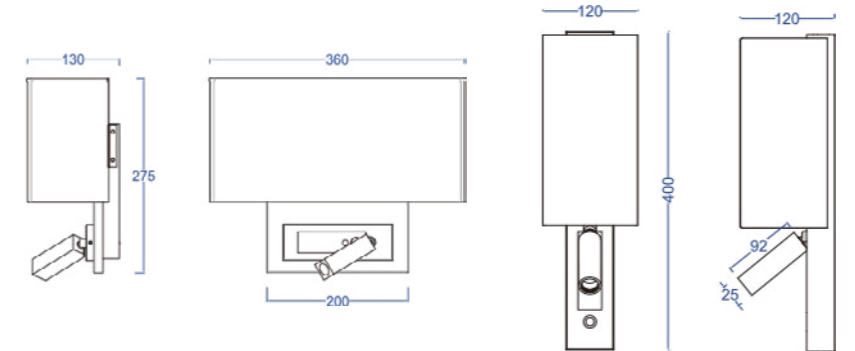
Code : DL046
Input : AC100~240V
Light Source : LED 3W Osram
CCT : 2700K/3000K/4000K
Beam Angle : 30° or customized
Lumen: 120 lm
Mood Light : 1x E27 lamp max 40W
Shade : Fabric TBA
Driver: UL/SAA/TUV/CE listed
Plug: Hard wired
Installation : Surface Mounted
Switch: Single rocker switch for Reading
Finish : Chrome, satin nickel, black chrome, etc.



L:360MM W:275MM H:130MM



L:400MM W:120MM H:120MM



Code : DL061/062
Input : AC100~240V
Light Source : LED 3W Osram
CCT : 2700K/3000K/4000K
Beam Angle : 30° or customized
Lumen: 120 lm
Mood Light : 1x E27 lamp max 40W
Shade : Fabric TBA
Driver: UL/SAA/TUV/CE listed
Plug: Hard wired
Installation : Surface Mounted
Finish : Chrome, satin nickel, black chrome, etc.



L:275MM W:210MM H:400MM

Code : DL087
Input : AC100~240V
Light Source : 2W Osram LED
CCT : 2700K/3000K/4000K
Beam Angle : 30°
Lumen: 120 lm
Mood Light : E27*1 Max60W without E27 light source
Shade : Fabric TBA
Switch: Twin rocker switches on plate
Plug: Hard wired
Installation : Surface mounted
Finish : Black bronze, Chrome





L:400MM W:230MM H:370MM

Code : DL088
Input : AC100~240V
Light Source : 2W Osram LED
CCT : 2700K/3000K/4000K
Beam Angle : Beam angle 30°
Lumen: 120 lm
Mood Light : E27*1 Max60W without E27 light source
Shade : Fabric TBA
Switch: Twin rocker switches on plate
Plug: Hard wired
Installation : Surface mounted
Finish : Black bronze



L:285MM W:150MM H:170MM

Code : DL152
Input : AC100~240V
Light Source : 3W Osram LED
Mood Light : E27 max 60W(without E27 bulb)
Driver: UL/SAA/TUV/CE listed
Plug: Hard wired or custom wall plug
Installation : Surface mounted
Switch: Rocker switch
Finish : aluminum+steel+fabric(black bronze)



W:150MM S:210MM H:245MM

Code : DLW01
Input : AC100~240V
Light Source : LED 3W Osram
Lamp : E27 Max 60W
CCT : 2700K/3000K/4000K
Beam Angle : 30° or customized
Lumen: 120 lm
Driver: UL/SAA/TUV/CE listed
Plug: Hard wired or custom wall plug
Installation : Surface Mounted
Switch: Twin Rocker Switch
Finish : stainless steel lamp body+Linen fabric shade



W:180MM L:190MM H:330MM

Code : DLW02
Input : AC100~240V
Light Source : E27 Max 60W
Plug: Hard wired or custom wall plug
Installation : Surface Mounted
Switch: Rocker Switch on plate
Finish : Bright polished or custom make
Material: stainless steel lamp body+Linen fabric shade





Code : DLW03
Input : AC100~240V
Light Source : LED 3W Osram
Lamp : E27 Max 60W
CCT : 2700K/3000K/4000K
Beam Angle : 30° or customized
Lumen : 120 lm
Driver : UL/SAA/TUV/CE listed
Plug : Hard wired or custom wall plug
Installation : Surface Mounted
Switch : Twin Rocker Switch on plate
Finish : stainless steel lamp body+Linen fabric shade
Material : stainless steel lamp body+Linen fabric shade

W:250MM L:150MM H:360MM



Code : DLW04
Input : AC100~240V
Light Source : E27 Max 60W
Plug : Hard wired or custom wall plug
Installation : Surface Mounted
Switch : Rocker Switch on plate
Finish : Bright polished or other custom make color
Material : stainless steel lamp body+Linen fabric shade

W:150MM S:210MM H:245MM



Code : DL81
Input : AC100~240V
Light Source : E26/E27/B22 Max 60W
Plug : Hard wired or custom wall plug
Installation : Surface Mounted
Switch : Rocker Switch on plate
Material : stainless steel lamp body+Linen fabric shade



Code : DL82
Input : AC100~240V
Light Source : LED 3W Osram
Lamp : E26/E27/B22 Max 60W
CCT : 2700K/3000K/4000K
Beam Angle : 30° or customized
Lumen : 120 lm
Driver : UL/SAA/TUV/CE listed
Plug : Hard wired or custom wall plug
Installation : Surface Mounted
Switch : Twin Rocker Switch on plate
Material : stainless steel lamp body+Linen fabric shade





Code : DL83
Input : AC100~240V
Light Source : E26/E27/B22 Max 60W
Plug: Hard wired or custom wall plug
Installation : Surface Mounted
Switch: No Switch
Material: stainless steel lamp body+Linen fabric shade

CE Ⓢ F IP20



Code : DL84
Input : AC100~240V
Light Source : LED 3W Osram
Lamp : E26/E27/B22 Max 60W
CCT : 2700K/3000K/4000K
Beam Angle : 30° or customized
Lumen: 120 lm
Driver: UL/SAA/TUV/CE listed
Plug: Hard wired or custom wall plug
Installation : Surface Mounted
Switch: Twin Rocker Switch on plate
USB Outlet : 5V 2.1A fast charger
Material: stainless steel lamp body+Linen fabric shade

CE Ⓢ F IP20



Code : DL85
Input : AC100~240V
Light Source : E27 Max 40W
Plug: Hard wired or custom wall plug
Installation : Surface Mounted
Switch: Chain Pull Switch
Finish : Bright polished
Material: stainless steel lamp body+Glass Shade

CE Ⓢ F IP20



Code : DL86
Input : AC100~240V
Light Source : E27 Max 40W
Plug: Hard wired or custom wall plug
Installation : Surface Mounted
Switch: Chain Pull Switch
Finish : Bright polished
Material: stainless steel lamp body+fabric

CE Ⓢ F IP20